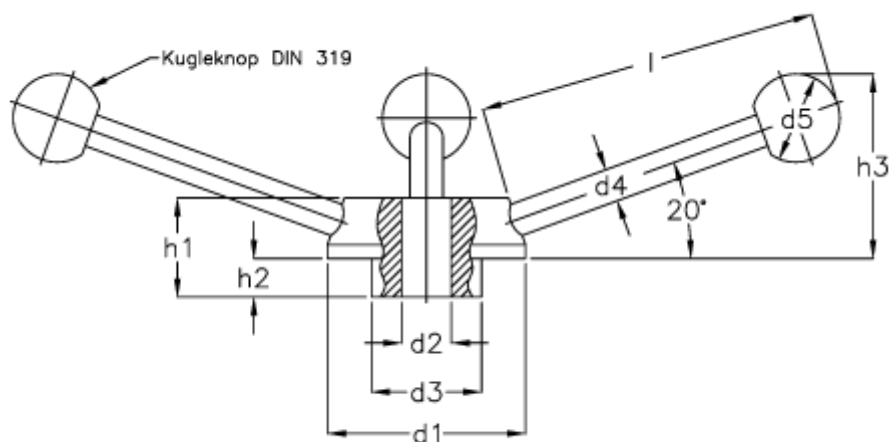


Article number: 20472252V

Description: E+G Handwheel
GN 213-65-V 16

Measures



$d_1 = 65$
 $d_2 = B\ 16$
 $d_3 = 35$
 $d_4 = 12$
 $d_5 = 30$
 $H_1 = 32$
 $H_2 = 12$
 $l = 110$